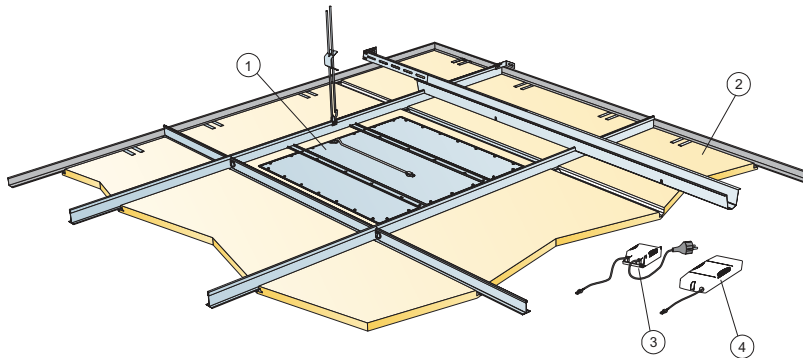
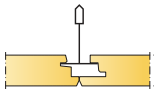


Ecophon Dot LED/ Square 43 LED

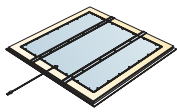
Focus Ds, Dg, E, Ez, Eg 600x600
M516, M518

M516

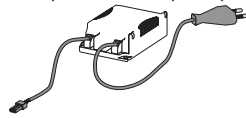


© Ecophon Group

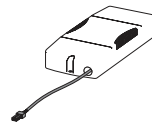
1. Ecophon Dot/Square Ds



3. Ecophon Dot/Square standard On/Off Ballast (Alt.1)

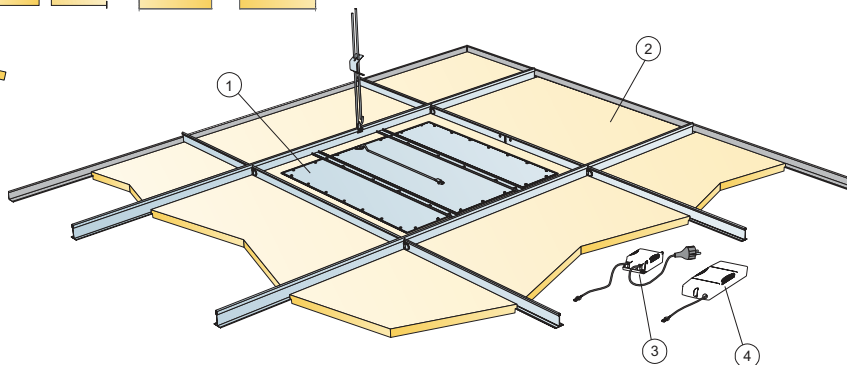
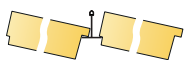
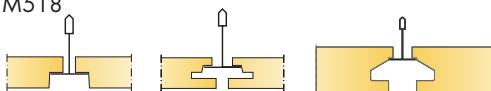


4. Ecophon Dot/Square Switch-DIM/DALI Ballast (Alt.2)



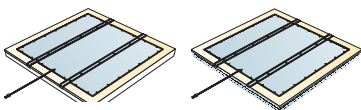
2. Focus Ds (adjacent ceiling)

M518



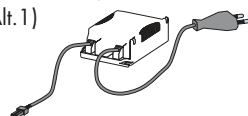
© Ecophon Group

1. Ecophon Dot/Square Eg/Ez

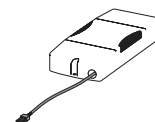


2. Focus Dg/E/Eg/Ez (adjacent ceiling)

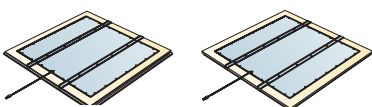
3. Ecophon Dot/Square standard On/Off Ballast (Alt.1)



4. Ecophon Dot/Square SwitchDIM/DALI Ballast (Alt.2)



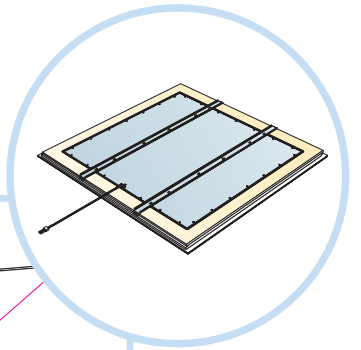
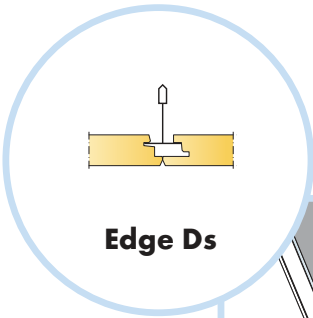
1. Ecophon Dot/Square Dg/E



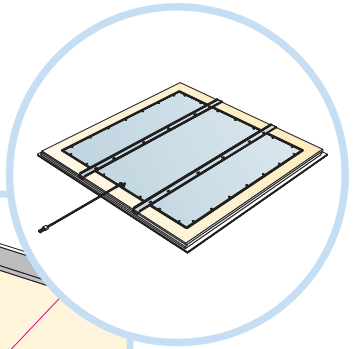
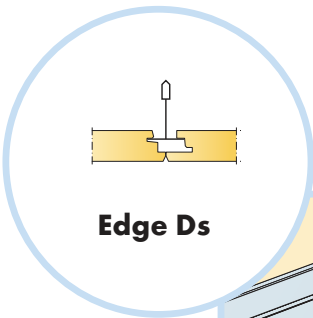
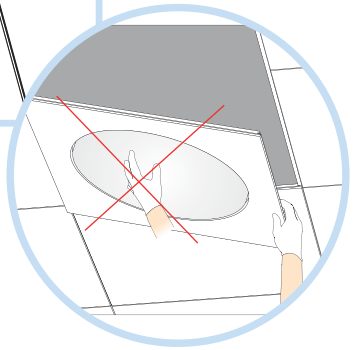
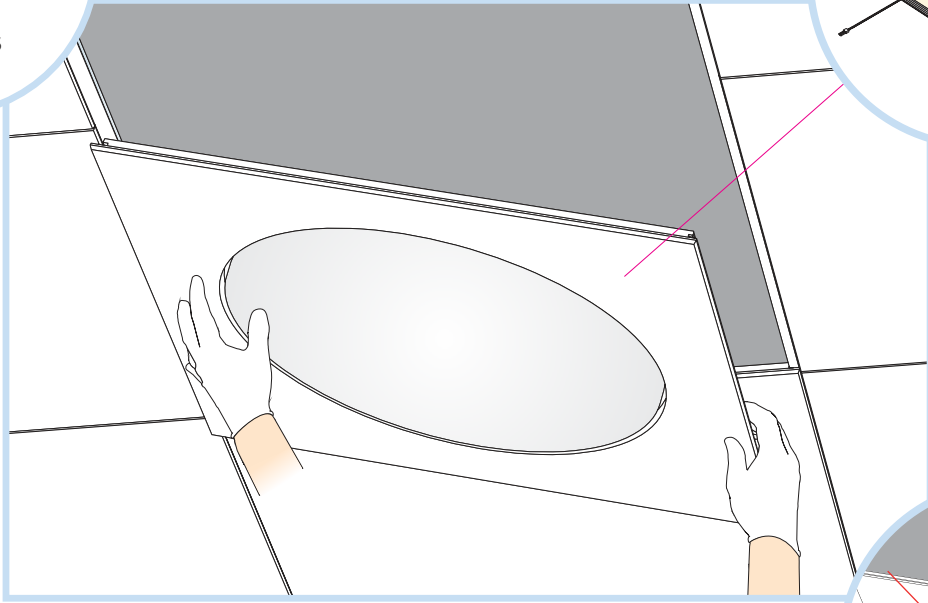
Ecophon[®]
SAINT-GOBAIN

A SOUND EFFECT ON PEOPLE

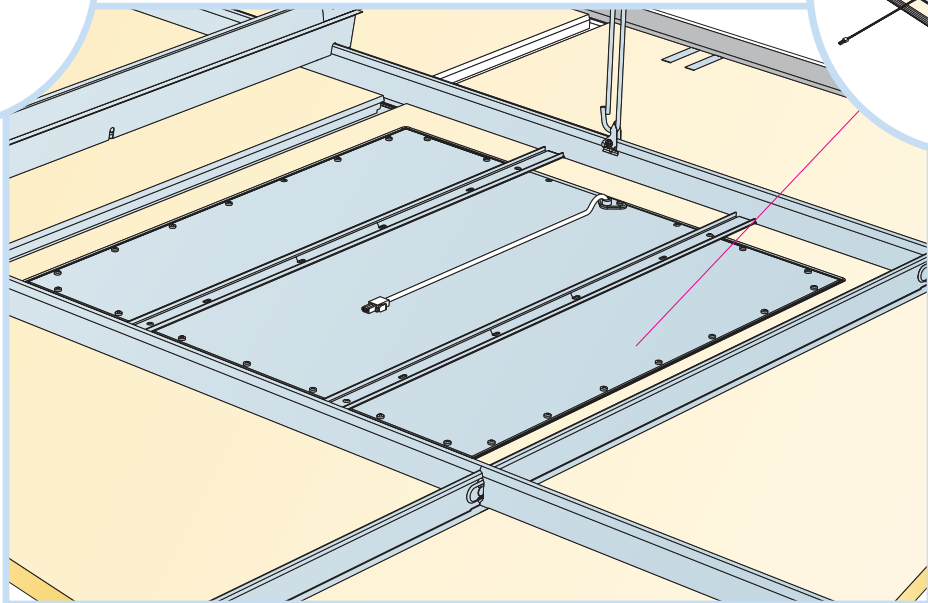
www.ecophon.com

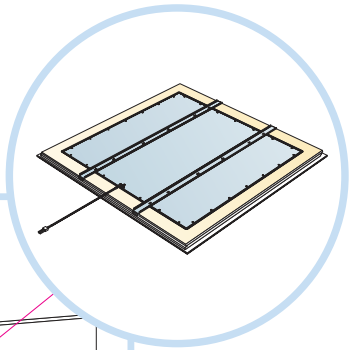
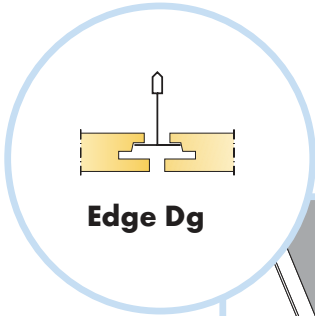


1

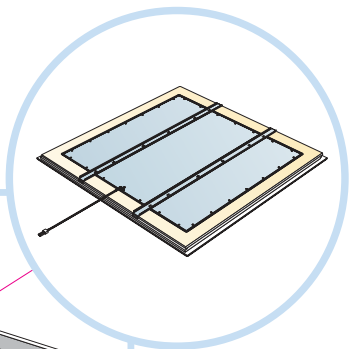
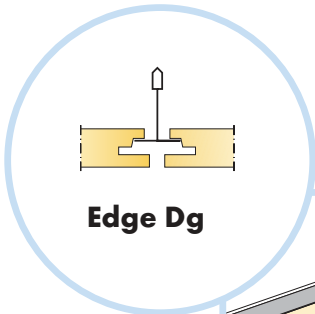
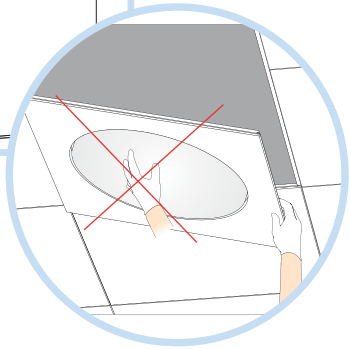
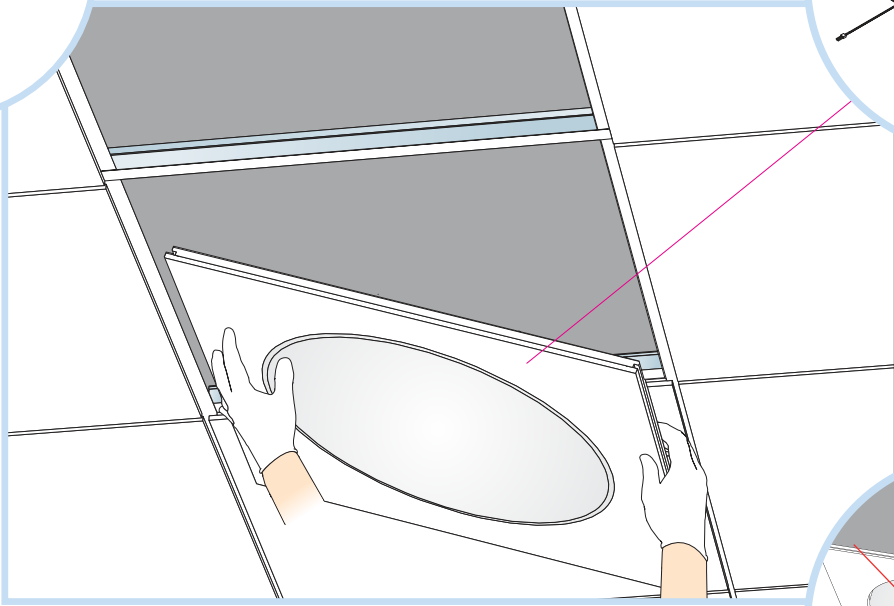


2

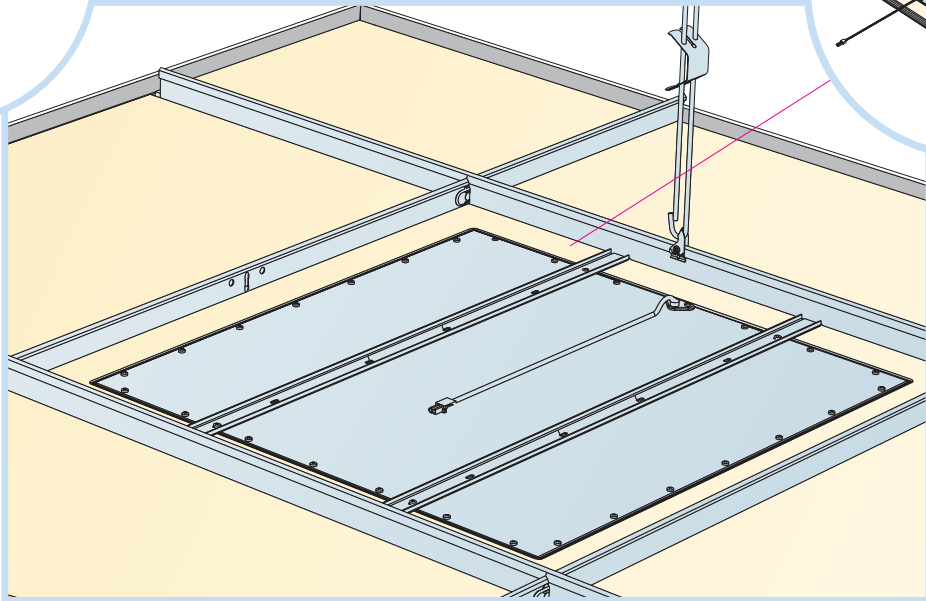


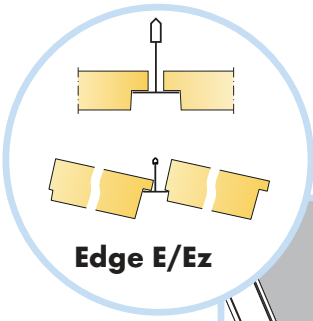


1

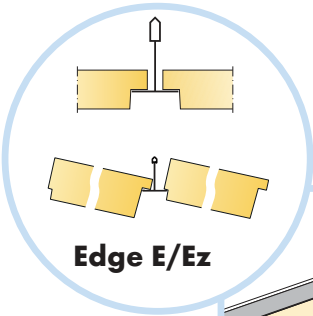
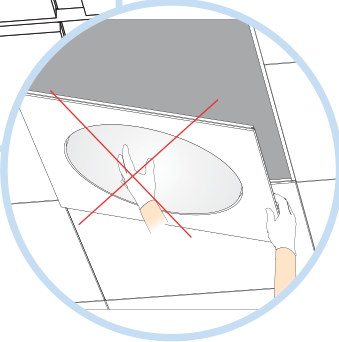
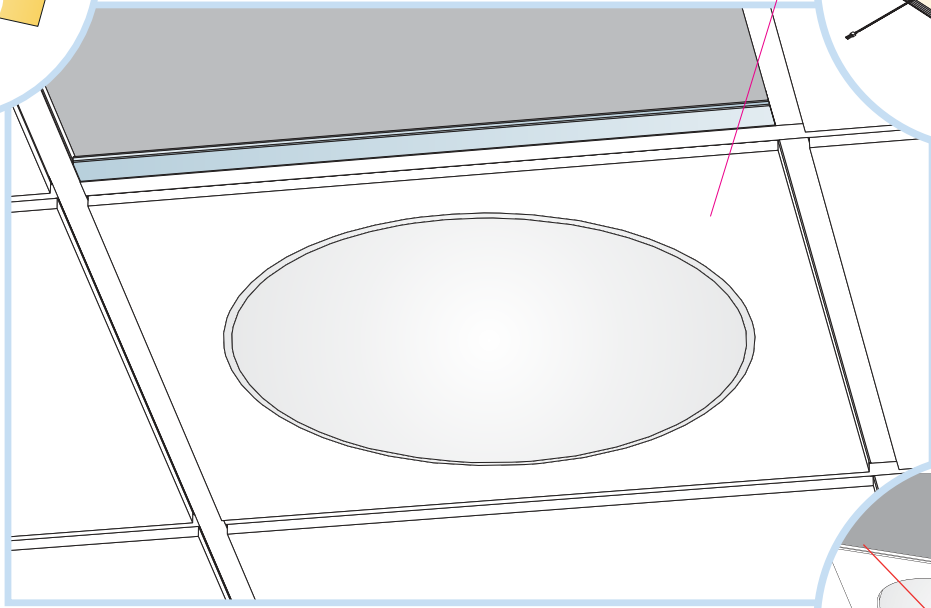


2

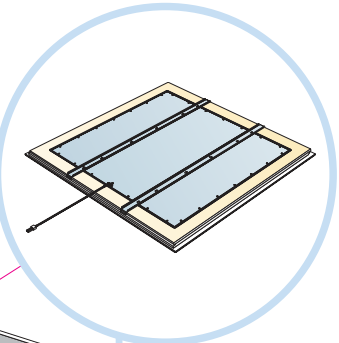
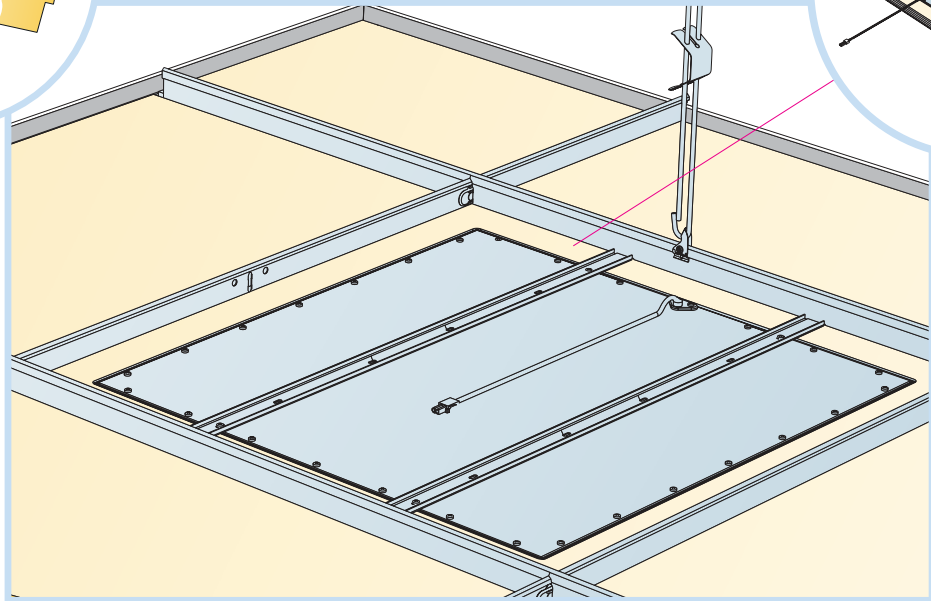


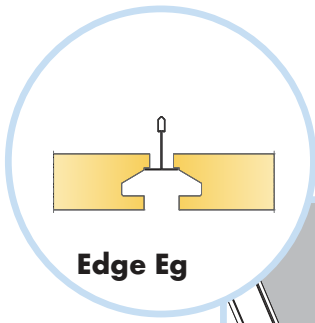


1

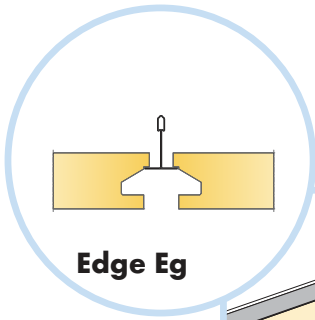
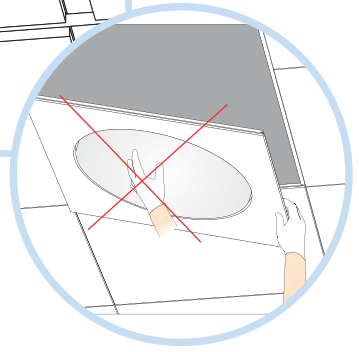
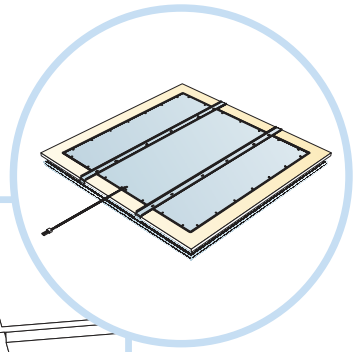
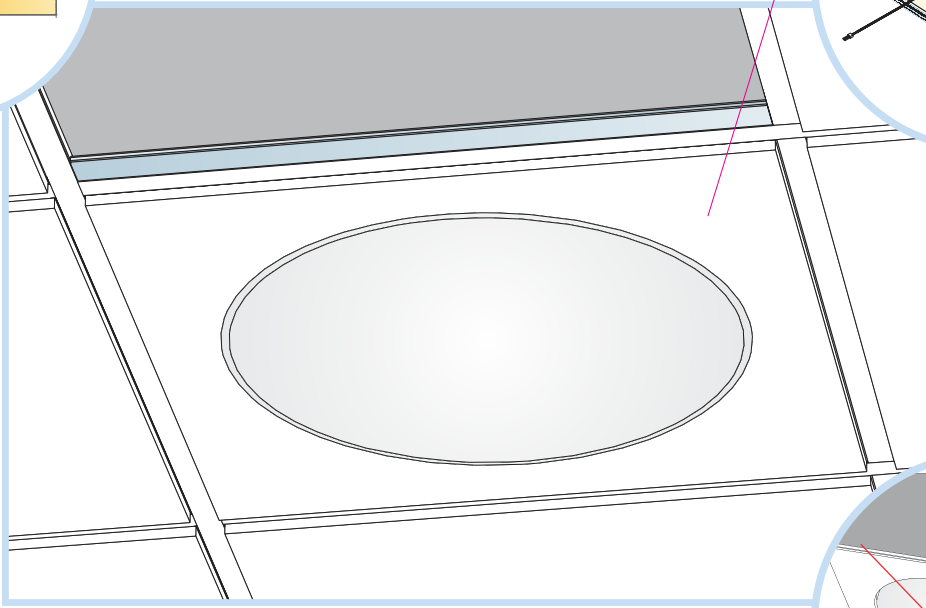


2

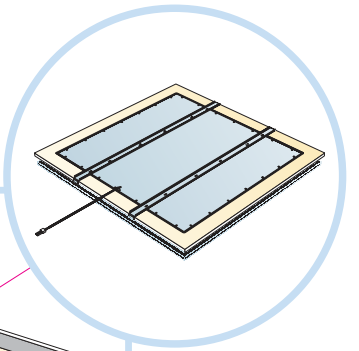
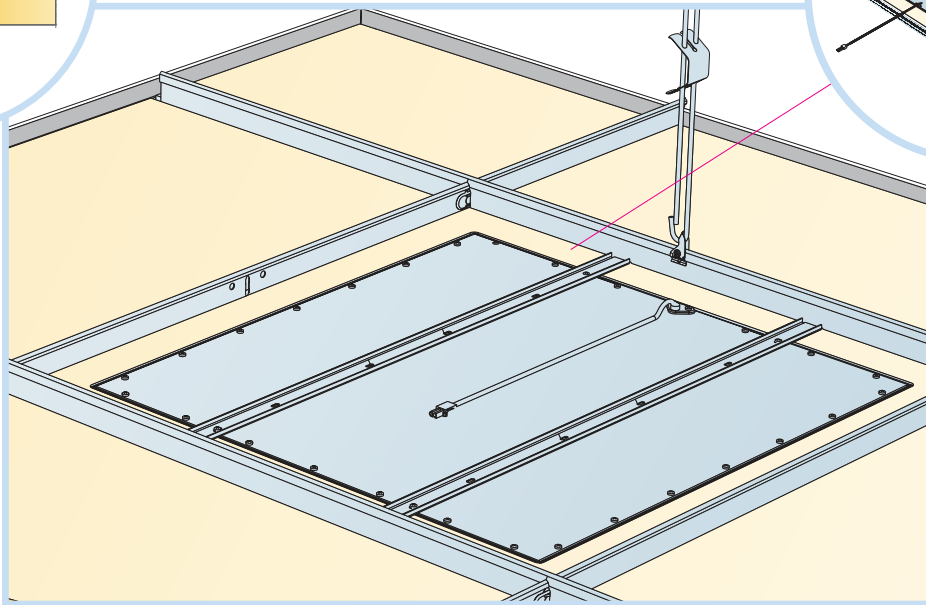




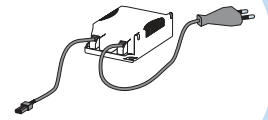
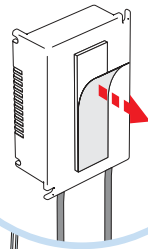
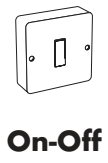
1



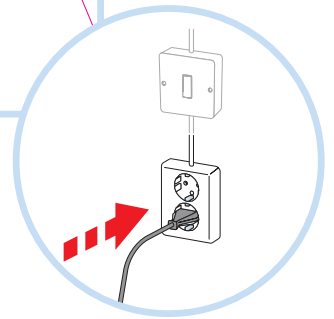
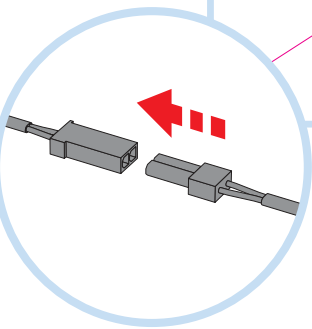
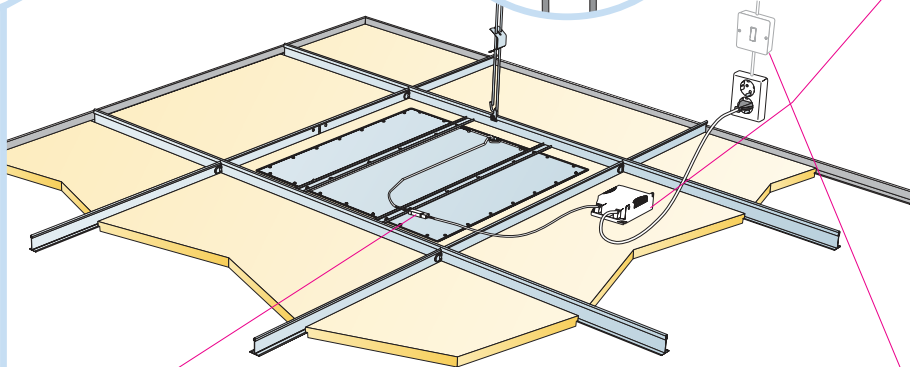
2



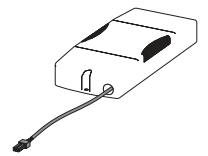
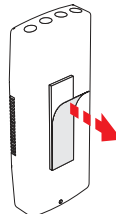
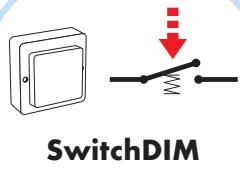
Edge Ds, Dg, E, Ez, Eg



Alt 1



Edge Ds, Dg, E, Ez, Eg



Alt 2

